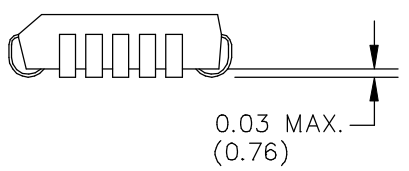
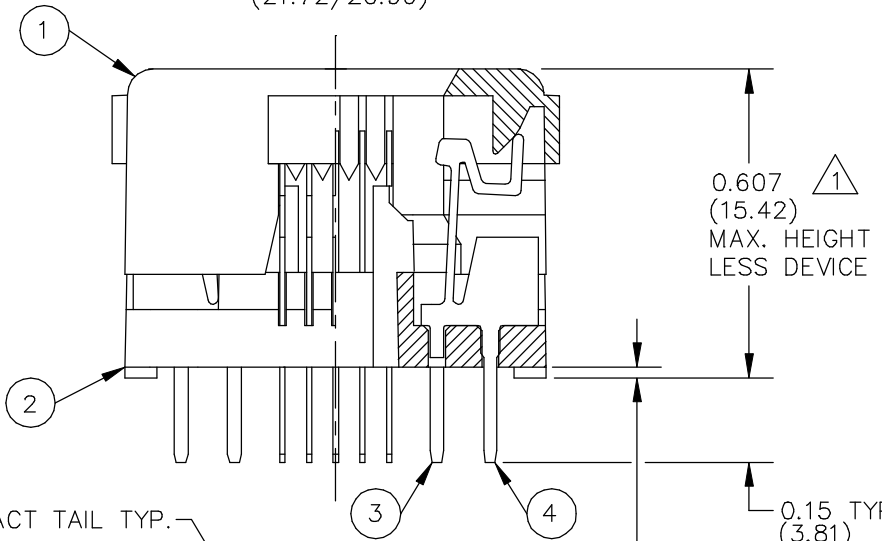
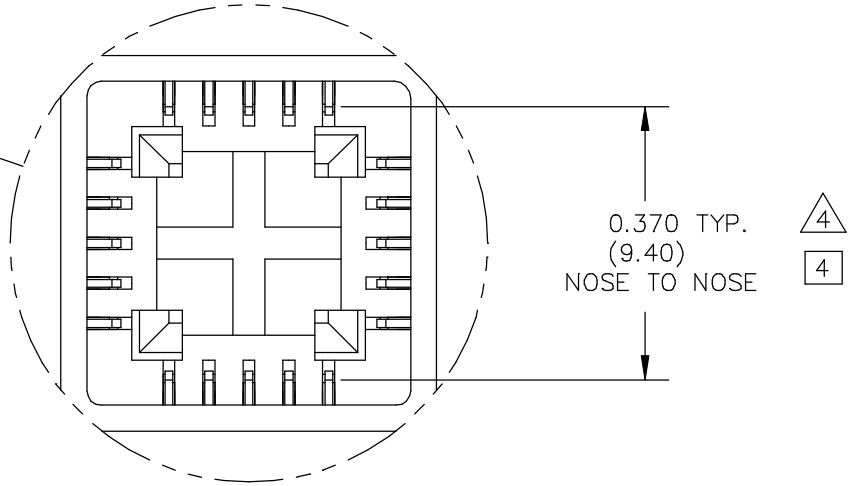
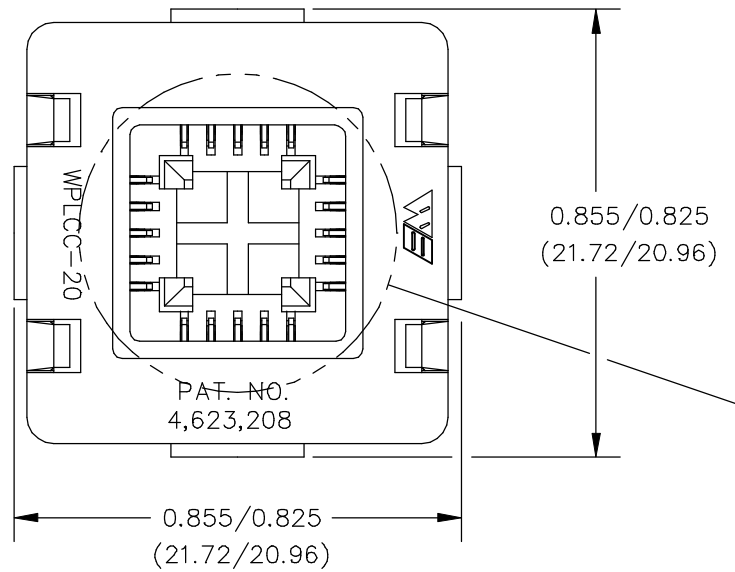
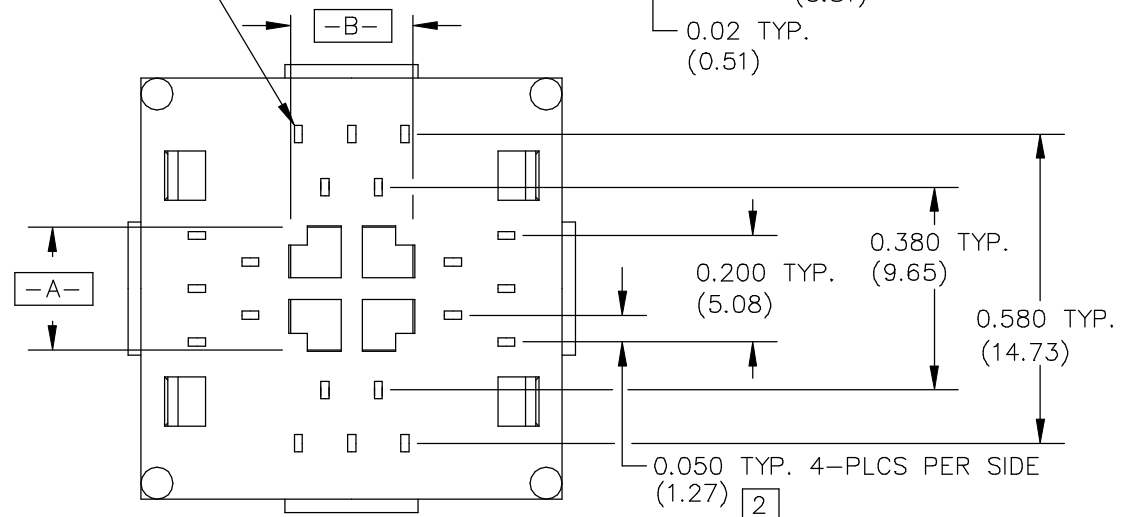


| REV. | DATE | BY | REVISION | | | | | | | | |
|------|-------|------|----------|------|-------|------|-------|------|-------|------|-------|
| | | | | | | | | | | | |
| REV. | ECN # | REV. | ECN # | REV. | ECN # | REV. | ECN # | REV. | ECN # | REV. | ECN # |
| | | | | | | | | | | | |



| | | |
|-------------------------|---|---|
| A | C | P |
| X | X | - |
| PART NO. 647C120XXXX | | |

0.026x0.010 CONTACT TAIL TYP.
(0.66x0.25)



DETAIL A

| | | | |
|---|-------------|----|------------------|
| 4 | 031-049-XX2 | 12 | CONTACT |
| 3 | 031-049-XX1 | 8 | CONTACT |
| 2 | 009-185-X01 | 1 | BASE (RED RADEL) |
| 1 | 009-230-X05 | 1 | LID |

5. SOCKETS ACCEPT PACKAGES THAT MEET JEDEC SPECIFICATION MO-047 AA. (REF. DETAIL A)
 4. DIMENSIONS MUST BE SYMMETRICAL TO DATUM A OR B WITHIN 0.003(0.08).
[\oplus .003(0.08) \odot A \odot] OR [\oplus .003(0.08) \odot B \odot]
 3. SOCKET MUST MEET REQUIREMENTS OF WELLS ELECTRONICS ENGINEERING SPECIFICATION ES-P-647.
 2. AFTER ASS'Y CONTACT TAILS MUST MEET POSITIONAL TOL. PER PIN GAGE T-0355. Δ
1. (XX.XX) DENOTES METRIC DIM'S IN MILLIMETERS.
- NOTES: UNLESS OTHERWISE SPECIFIED

| LEGEND | ITEM | PART NUMBER | QTY | DESCRIPTION |
|--|----------|--|-----|-------------|
| \diamond | CRITICAL | THIS DOCUMENT CONTAINS PROPRIETARY DESIGNS, SPECIFICATIONS, DATA, INFORMATION AND TECHNICAL MATERIAL THAT ARE THE SOLE PROPERTY OF WELLS ELECTRONIC, INC. THIS INFORMATION IS TO BE HELD AND TREATED BY ITS RECIPIENT ON A CONFIDENTIAL BASIS, AND IS NOT TO BE SHOWN OR DISCLOSED TO THIRD PARTIES WITHOUT THE WRITTEN CONSENT OF WELLS ELECTRONICS, INC. THIS DATA DOES NOT CONVEY MANUFACTURING RIGHTS TO ANY ITEM SHOWN. | | |
| Δ | MAJOR | | | |
| ALL OTHERS | MINOR | | | |
| LAST NUMBER USED WAS : 4 | | PART NO. 647C120XXXX | | |
| NUMBERS IN CRITICAL & MAJOR DIMENSIONS ARE RANDOMLY PLACED AND HAVE NO SPECIFIC ORDER IN THE WAY THAT THEY HAVE BEEN NUMBERED. | | MATERIAL | | |
| | | FINISH | | |
| | | DO NOT SCALE | | |
| | | TOLERANCES .XX \pm .01(\pm 0.25) .XXX \pm .005(\pm 0.13) .XXXX ----- ANGLE \pm 1' | | |
| | | DRAWN K.M. | | |
| | | DATE 12-21-90 | | |
| | | CHECKED - | | |
| | | DATE - | | |
| | | PROJ. ENG. MYERS | | |
| | | DATE 12-21-90 | | |
| | | CHIEF ENG. T.L. | | |
| | | DATE 1-2-91 | | |
| | | MFG. ENG. - | | |
| | | DATE - | | |
| | | QUALITY - | | |
| | | DATE - | | |
| | | WELLS ELECTRONICS SOUTH BEND, INDIANA | | |
| | | PART NAME | | |
| | | 20 LD. SOCKET F/SQ. PLASTIC LEADED CHIP CARRIER (LIVE BUG) | | |
| | | PART NO. | | |
| | | 647C120XXXX | | |
| | | REV. - | | |
| | | SCALE 4X | | |
| | | SHEET | | |
| | | CAD DWG NO. 647C120 | | |
| | | SUB-DR ON SERVER SOCKASSY | | |